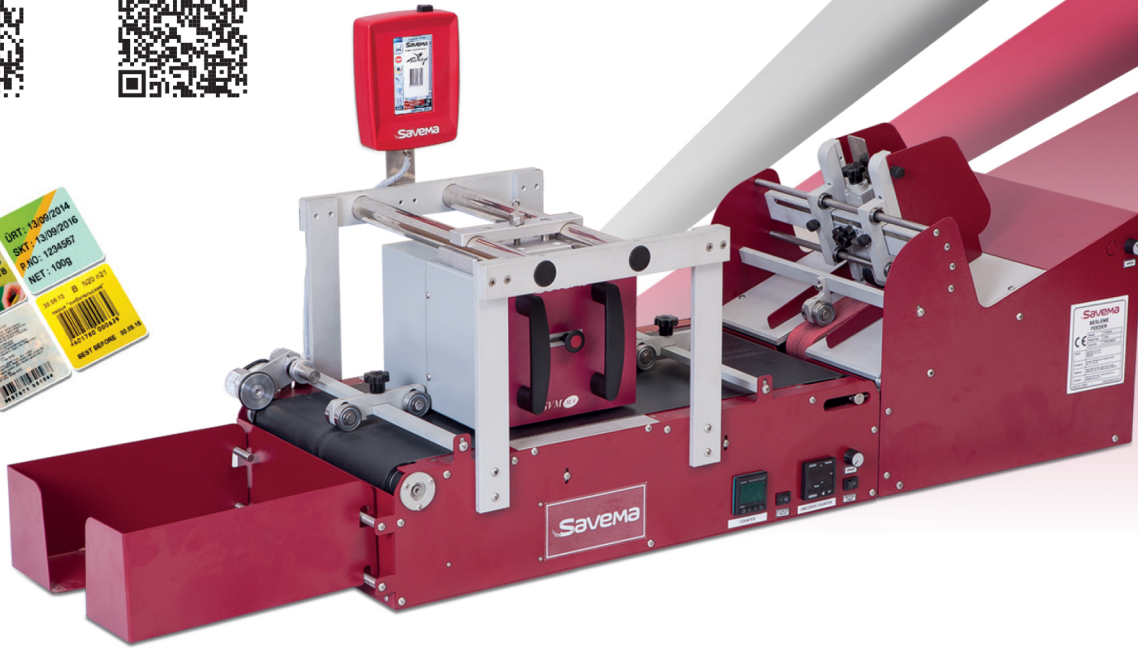
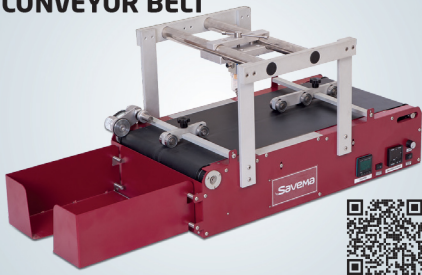


# SAVEMA 20 f SERIES FEEDER & CONVEYOR BELT

## SVM 100-A1 FRICTION FEEDER SVM 100-A2 VACUUM FEEDER SVM 100-B CONVEYOR BELT



**SVM 100 - B  
CONVEYOR BELT**



**SVM 100 - A1  
FRICTION FEEDER**

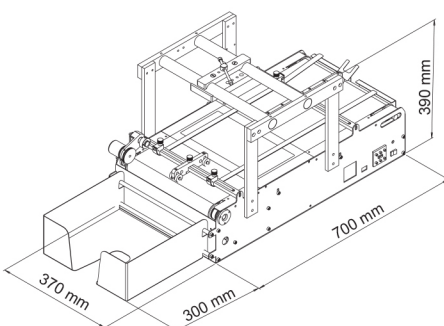


**SVM 100 - A2  
VACUUM FEEDER**



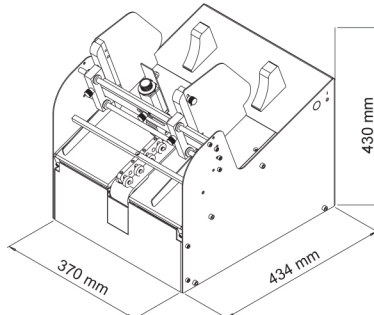
### Conveyor Belt Specifications

Min. Width of Product	40mm (W) x 60mm (L)
Max. Width of Product	300mm (W) x 250mm (L)
Belt Speed	200 mm/sec.
Power	100-120V 50-60 Hz 200-240V 50-60 Hz
Weight	48 Kg



### Friction Feeder Specifications

Min. Width of Product	40mm (W) x 60mm (L)
Max. Width of Product	300mm (W) x 250mm (L)
Min-Max Product Thickness	0,08 mm - 4 mm
Belt Speed	150 mm/sec.
Power	100-120V 50-60 Hz 200-240V 50-60 Hz
Weight	20 Kg



### Vacuum Feeder Specifications

Min. Width of Product	100mm (W) x 100mm (L)
Max. Width of Product	300mm (W) x 320mm (L)
Power	100-120V 50-60 Hz 200-240V 50-60 Hz
Weight	14 Kg

